



Triade XXL



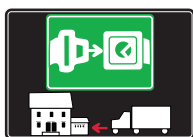
WOOD
AND
GLASS
SHELVING
SYSTEMS





SYMBOLS AND FINISHES LEGEND

SYMBOLS



= SHELF SAFELY LOCKED DURING TRANSPORTATION AND AT HOME.



= ANTI-TURNOVER LOCKING SYSTEM



= NORMS / PATENTS



= PHILLIPS / POZIDRIV



= WITH BUFFER



= PART NO.



= BLADE SLOT



= WITH MAGNET



= PCS. PER PACKAGE



= COMBI SLOT



= HEXAGONAL SOCKET



= NEWTON



= CAPACITY LOADING



= HEXALOBULAR SOCKET



= FRICTION



= WOOD / GLASS THICKNESS



= COUNTERSUNK HEAD



= AUTOMATIC



= HOLE DIAMETER



= PAN HEAD



= DROP DOWN



= DIAMETER



= FLANGE HEAD



= LENGTH



= FLAT HEAD



= STANDARD HINGE



= HEIGHT



= TRILOBULAR SCREW



= KIMANA HINGE



= RIGHT VERSION



= SELF-TAPPING SCREW



= FLAP HINGE



= LEFT VERSION



= EURO THREAD



= WITH SPRING



= SETTING CODE



= METRIC THREAD



= WITHOUT SPRING



= PCS. PER PAD



= PRE-INSERTED SCREW



= REVERSED SPRING



= CUT ON REQUEST



= PRE-INSERTED SCREW AND SPREADING BUSH



= SELF ADHESIVE



= WITH FLANGE

NOTE: Printing errors and omissions may exist despite our best efforts to ensure accuracy. We reserve the right to alter specifications without notice.

MATERIALS

ZA = Zinc Alloy	ST = Steel	HSS = High Speed Steel	BR = Brass	ABS = Acrylonitrile Butadiene Styrene
ZAnk = Nickel-plated Zinc Alloy	STzk = Zinc-plated Steel	AL = Aluminium	WD = Wood	EVA = Ethylene Vinyl Acetate

EP = ENGINEERING PLASTIC	+ EP = other engineering plastic available on request	SR = SOFT RUBBER	+ SR = other soft rubber available on request
--	--	--------------------------------	--

EPn = Natural Engineering Plastic	EPc = Clear Engineering Plastic	SRn = Natural Soft Rubber
EPw = White Engineering Plastic	EPg = Grey Engineering Plastic	SRw = White Soft Rubber
EPwg = Water Green Engineering Plastic	EPa = Anthracite Engineering Plastic	SRb = Black Soft Rubber



FINISHES



+ **OTHER FINISHES AVAILABLE ON REQUEST**

PART NO.	FINISHES	PART NO.	FINISHES	PART NO.	FINISHES
00	Insignificant finish	IF	Middle Grey	RO	Red
AA	Natural	IJ	Light Grey	UT	T-Met 9007
AB	White	IL	Grey 20	UZ	T-Met
AE	White 9010	IN	Grey met. 26	WA	Bronzed
EA	Black	JB	Bright Aluminium	WI	Burnished
EC	Matt Black	JC	Aluminium - Chrome	XD	Satin-finished Steel
EE	Anthracite	JD	Matt Aluminium	YA	Nickel-plated
EW	Grey 9007	JE	Satin-finished Aluminium	YB	Bright Nickel-plated
FU	Gunmetal	JF	Aluminium - Brass	YC	Matt Nickel-plated
FV	Gunmetal V52	JG	Aluminium 5	YD	Satin-finished Nickel-plated
GR	Raw	JL	Aluminium PE 11	YQ	Black Nickel
HA	Brass-Plated	JM	Aluminium RAL 9006	Z9	Black Zinc
HH	Tropicalized	KA	Chrome	ZA	Zinc alloy
HL	Raw Brass	KB	Bright Chrome	ZN	Zinc-plated
HX	Graphite	KC	Matt Chrome	ZQ	Bright Gold
IA	Grey	LD	Brown 8019	ZY	Titanium
IB	Metallic Grey	NN	Metallic Beige	ZZ	Clear

TRIADE XXL


TRIADE XXL is the concealed mounting bracket for honeycomb shelves minimum 40mm thick. It has been conceived to simplify the shelf installation. It is provided with three independent adjustments:

- 1) VERTICAL: before installing the shelf, the mounting brackets can be adjusted in height and (vertically) aligned through the slots.
 - 2) HORIZONTAL: while placing the shelf in position, the supporting pins can be slid horizontally.
 - 3) INCLINATION: when the shelf is partially inserted, the shelf angle can be adjusted front to back by turning the supporting pins with a 12mm open-ended wrench.
- The capacity loading is 20 Kg each (shelf weight included) for a shelf max 400 mm deep.
The minimum shelf depth required is 300 mm.

ADDITIONAL BENEFITS DUE TO SECURITY LOCKING FEATURE

- Simple additional drilling.
- Small diameter hole in the shelf (only $\varnothing 3,5$ mm).
- Multiple assembly and disassembly of the shelf.
- Suitable for all thicknesses.
- Tested on plywood, mdf and chipboard.

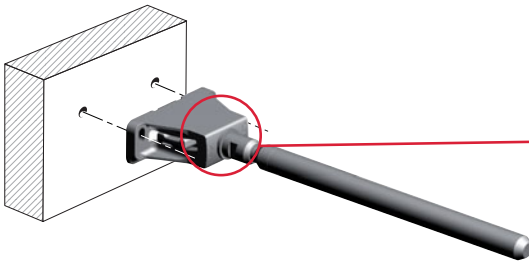
40 mm min. 

20 kg for each shelf support
for shelf 400 mm deep 

PAT. PENDING 

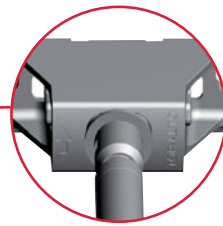
INSTALLATION AND ADJUSTMENTS

WOOD PANEL

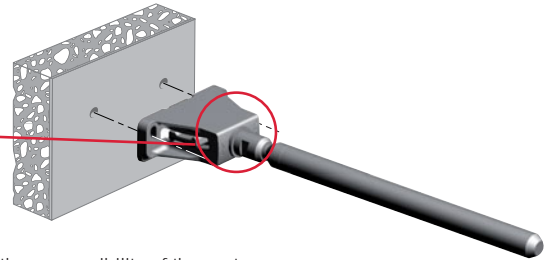


Recommended fixing pan head screw type - head $\varnothing 5$ mm max.

VERY IMPORTANT
Triade XXL has to be installed with the arrow facing upwards.



SOLID AND PLASTERBOARD PANEL

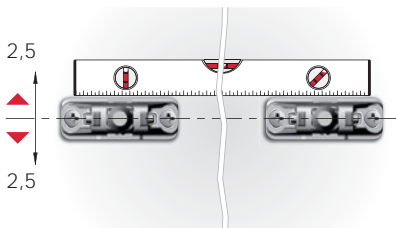


It is the responsibility of the customer:

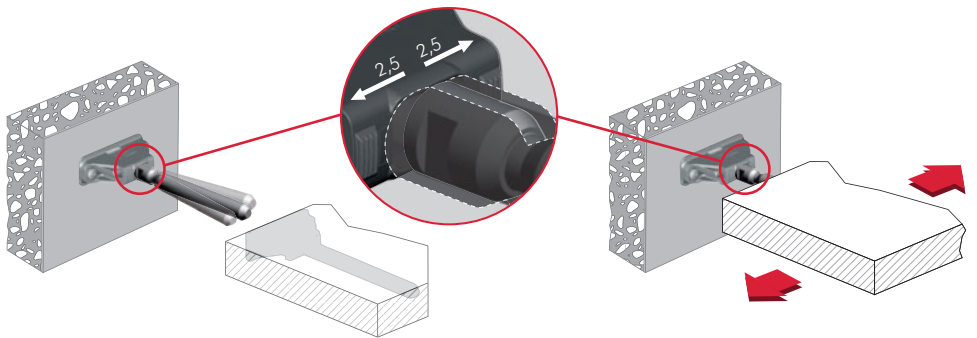
- to ensure the wall is of a suitable quality to hold the shelf fixing in place.
- to use the proper hardware fittings according to the construction of the wall.

For more specific information, please refer to the WARNINGS section at the end of the catalogue.

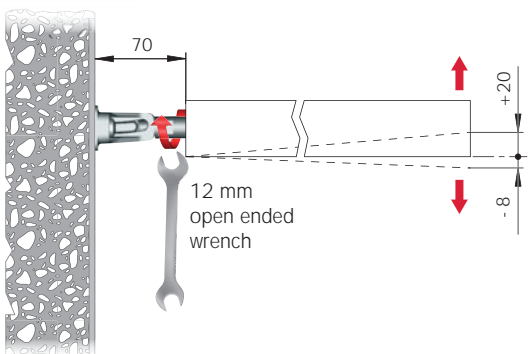
BRACKET ALIGNMENT



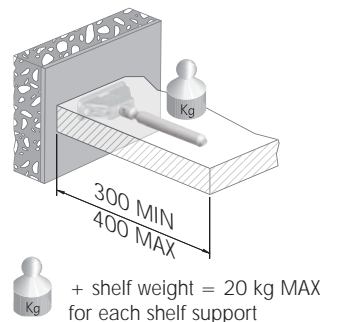
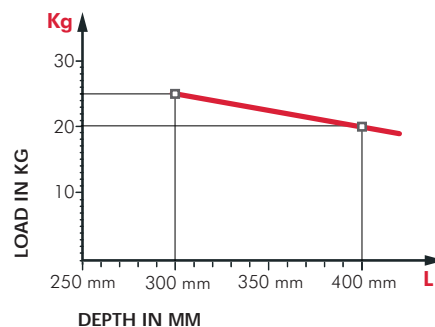
LATERAL ADJUSTMENT



INCLINATION ADJUSTMENT

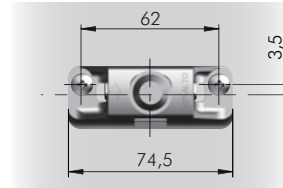
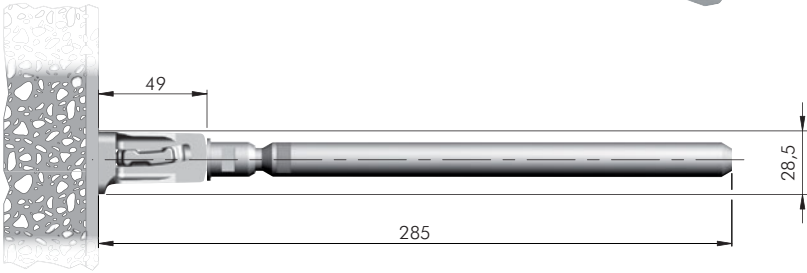


COMBINATION SHELF LOAD AND SHELF DEPTH (The figures refer to 1 shelf support)

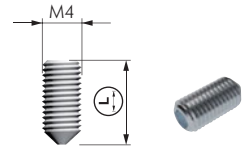
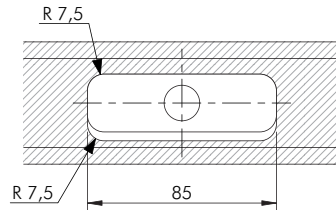
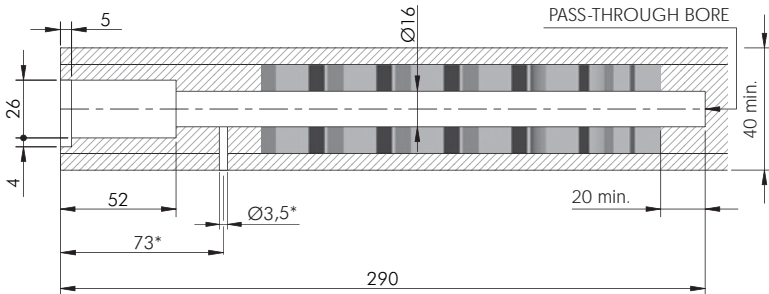




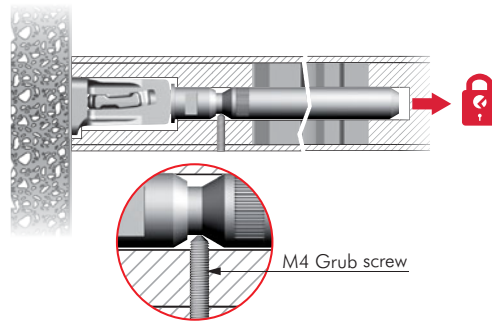
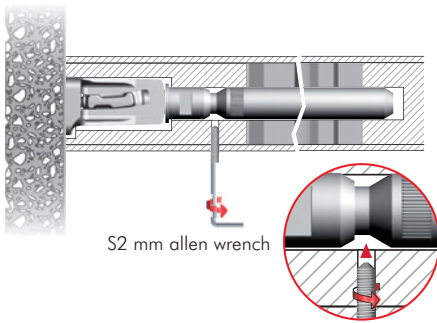
= PZ2 = open ended wrench 12 mm
 = 25 pcs.
 |
1621701000



VERY IMPORTANT
Centre of the hole is shifted 3,5 mm upwards. Please keep in mind when levelling the shelf.

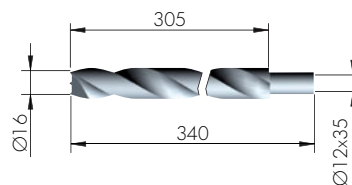
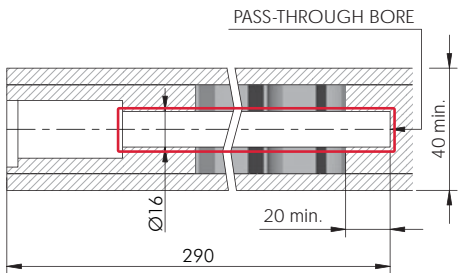


* Optional drilling for security locking with M4 grub screw placed underneath in alignment with the cavity.

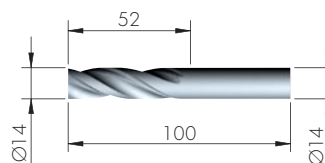
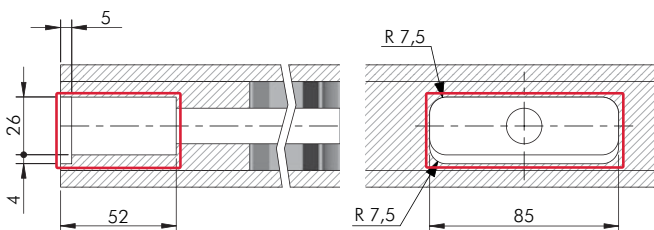


= S2 mm = 100 pcs.
 = 100 pcs.
 | | |
21105190ZN 14 40
21105060ZN 20 50

DRILL BIT FOR TRIADE XXL

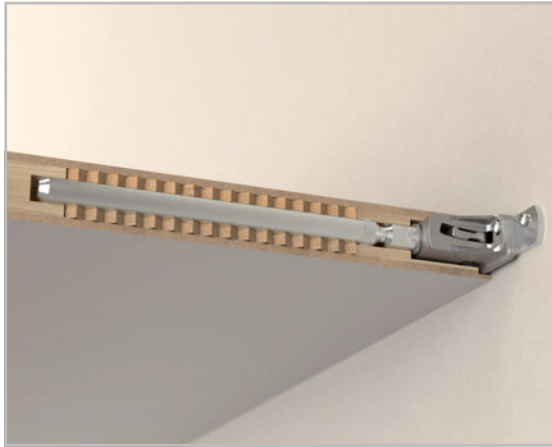


 = on request
 |
1621456000



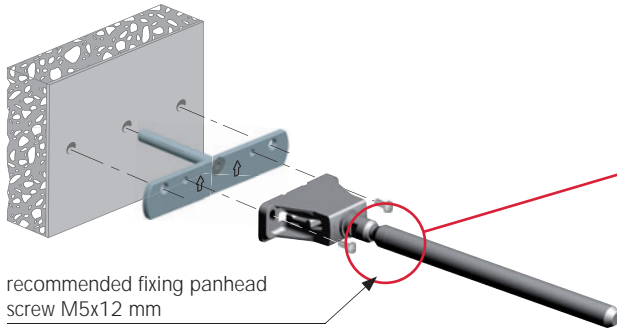
 = on request
 |
1621454000

TRIADE XXL AND BRACKET



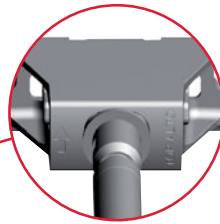
OPTIONAL SECURITY LOCKING

INSTALLATION SOLID AND PLASTERBOARD PANEL



recommended fixing panhead
screw M5x12 mm

VERY IMPORTANT
Triade XXL has to be installed with
the arrow facing upwards.



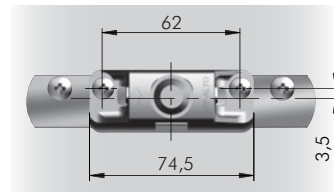
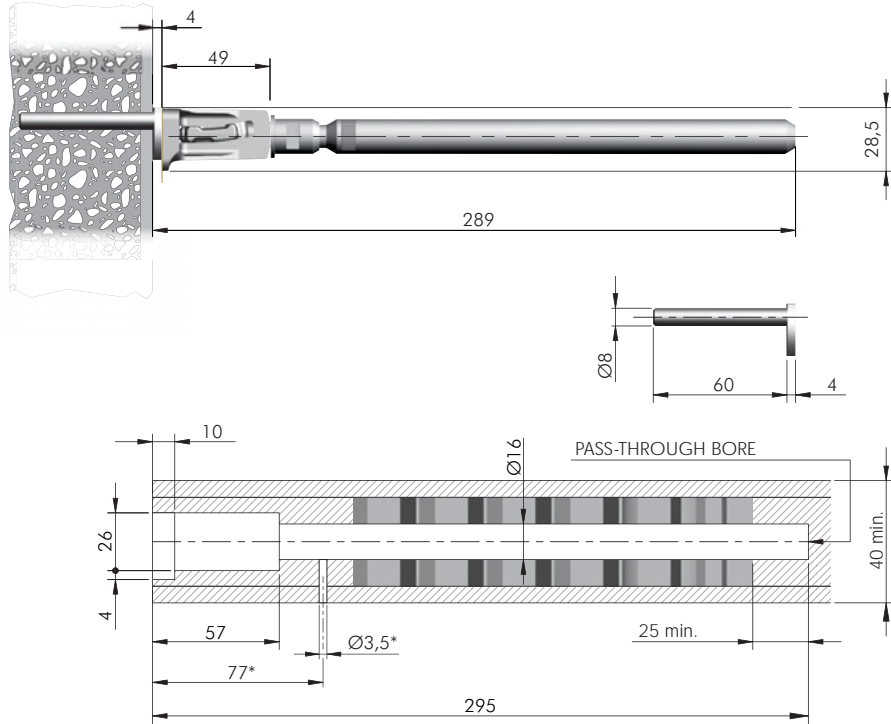
It is the responsibility of the customer:
- to ensure the wall is of a suitable quality to hold the shelf fixing in place.
- to use the proper hardware fittings according to the construction of the wall.
For more specific information, please refer to the WARNINGS section at the end of the catalogue.



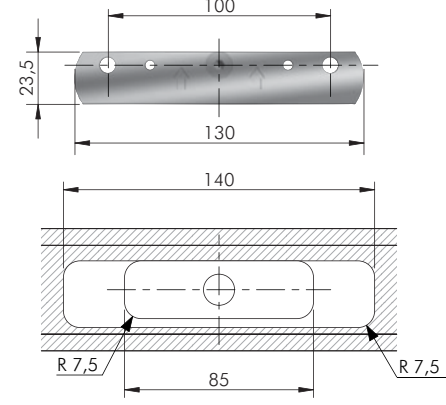
	= PZ2		= open ended wrench 12 mm
			= 25 pcs.
1621701000			



	= M5		
		= 100 pcs.	
16215030ZN			



VERY IMPORTANT
Centre of the hole is shifted 3,5 mm upwards. Please keep in mind when levelling the shelf.



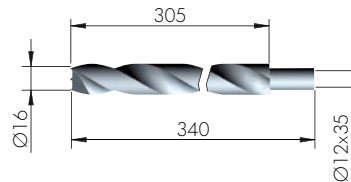
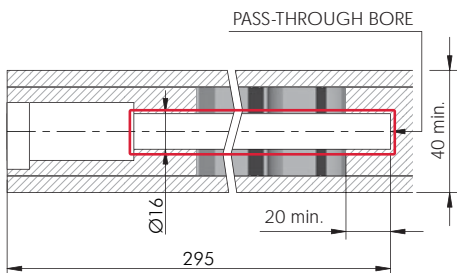
* Optional drilling for security locking with M4 grub screw placed underneath in alignment with the cavity. For details refer to Triade XXL section.

TRIADE MAXI BRACKET FIXING ACCESSORY

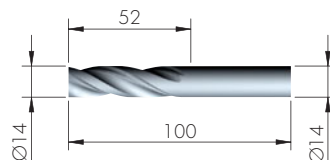
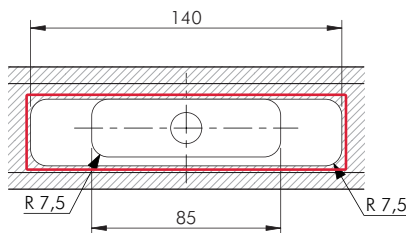
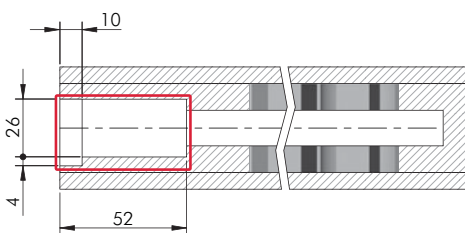


	= M5		= PZ2		
			= 7000 pcs.		
 60334030ZN					

DRILL BIT FOR TRIADE XXL AND BRACKET



HSS		= on request
 1621456000		

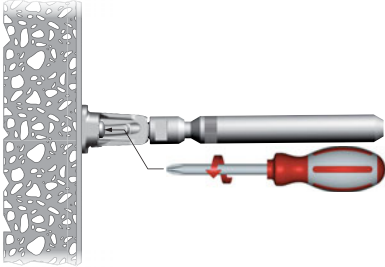


HSS		= on request
 1621454000		

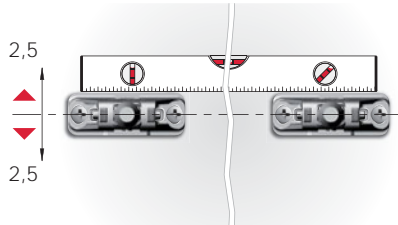
APPLICATION FOR ALL TRIADE VERSIONS

VERTICAL ADJUSTMENTS

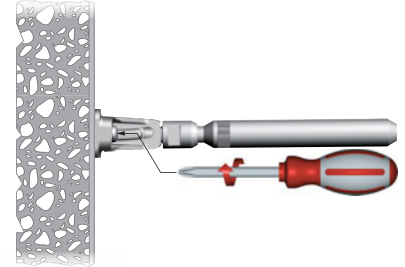
RELEASE THE FIXING SCREWS



ALIGN BRACKETS VERTICALLY ACCORDINGLY

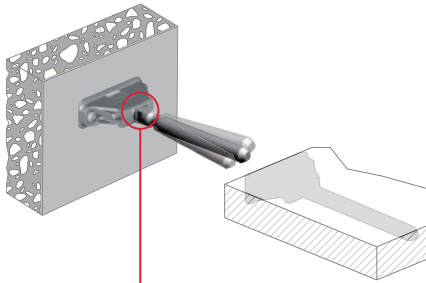


TIGHT THE FIXING SCREWS

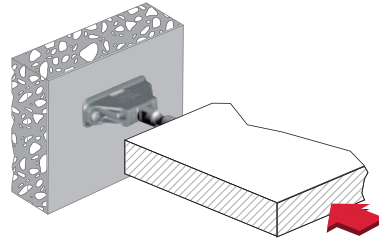


SHELF INSERTING AND LATERAL ADJUSTMENT

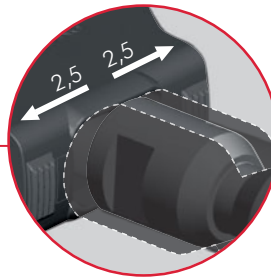
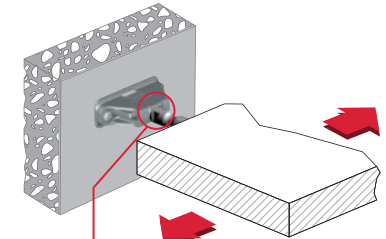
TILT THE SHELF TO MATCH BOTH SUPPORTING PINS AND SHELF HOUSINGS



INSERT PARTIALLY THE SHELF

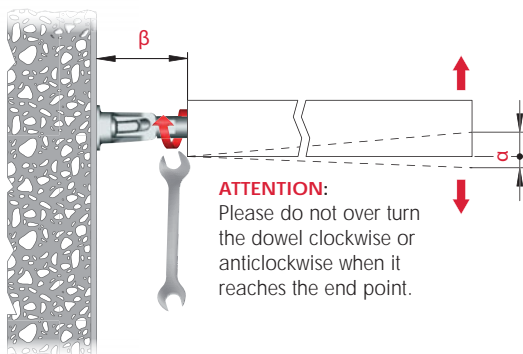


ADJUST THE SHELF LATERALLY ACCORDING TO THE APPLICATION (i.e. MULTI-SHELF COMPOSITION)



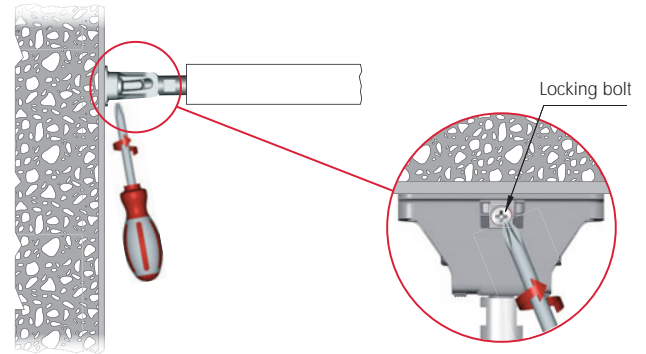
INCLINATION ADJUSTMENTS

TURN CLOCKWISE THE SUPPORTING PIN WITH A 10 - 12 mm OPEN-ENDED WRENCH TO ADJUST THE SHELF ANGLE FRONT TO BACK ACCORDINGLY



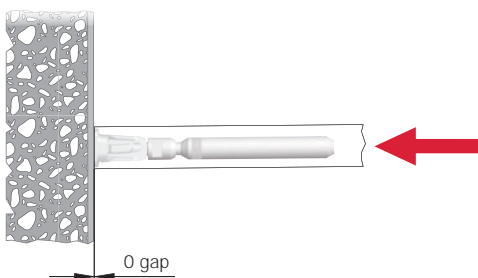
MODEL	β (mm)	α (mm)
TRIADE MINI	approx. 45	-6 +13
TRIADE	approx. 45	-6 +13
TRIADE MAXI	approx. 70	-8 +20
TRIADE XXL	approx. 70	-8 +20

SCREW THE LOCKING BOLT TO BLOCK THE PIN

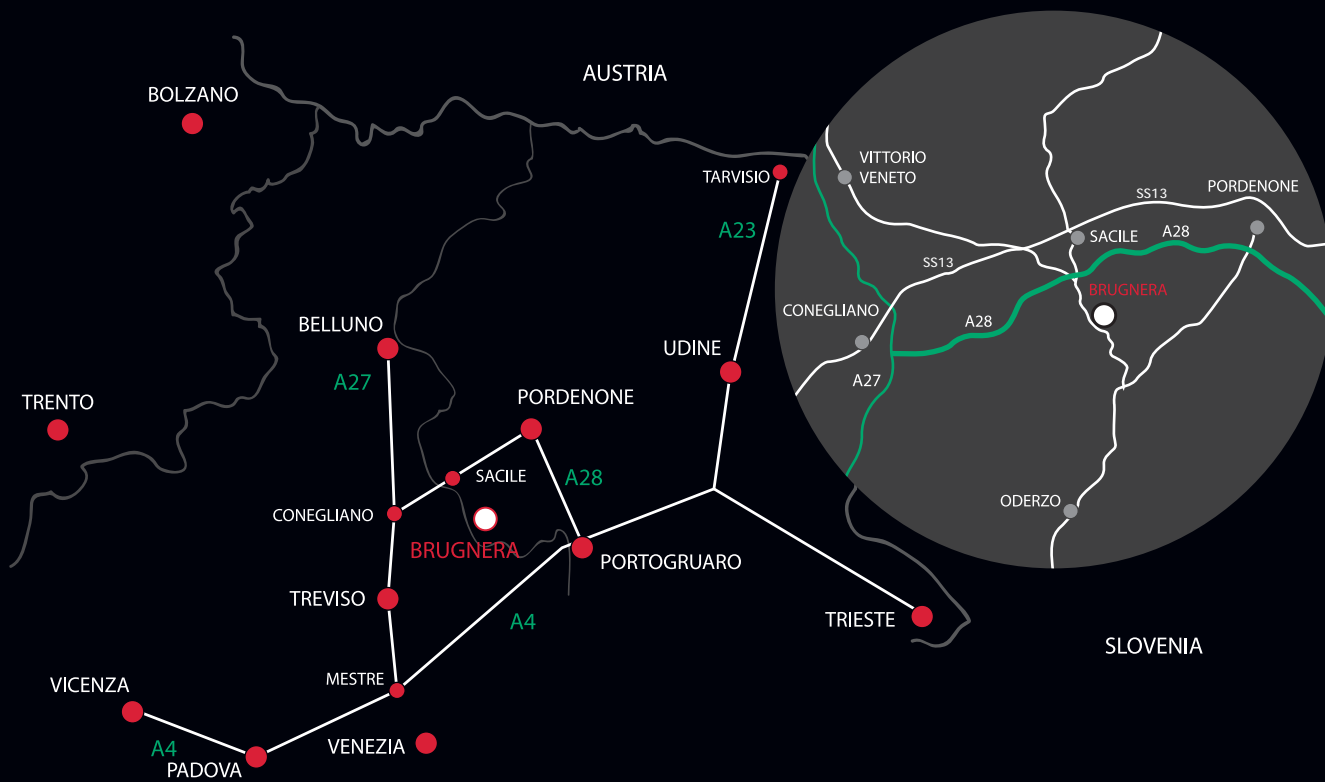


SHELF INSERTING FOR ALL TRIADE MODELS

PUSH THE SHELF AGAINST THE WALL UNTIL THE END







www.italianaferramenta.it