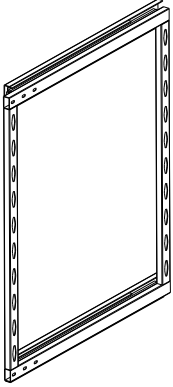
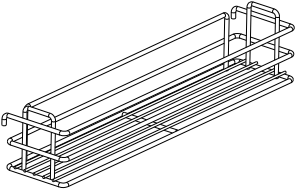
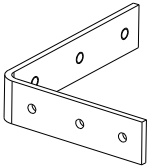
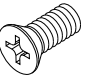

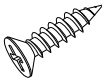


# RiEx

	A	1x
	B	2x
	C	2x
 M5x8	D	2x
 M5x10	E	4x
 4x16	F	14x

